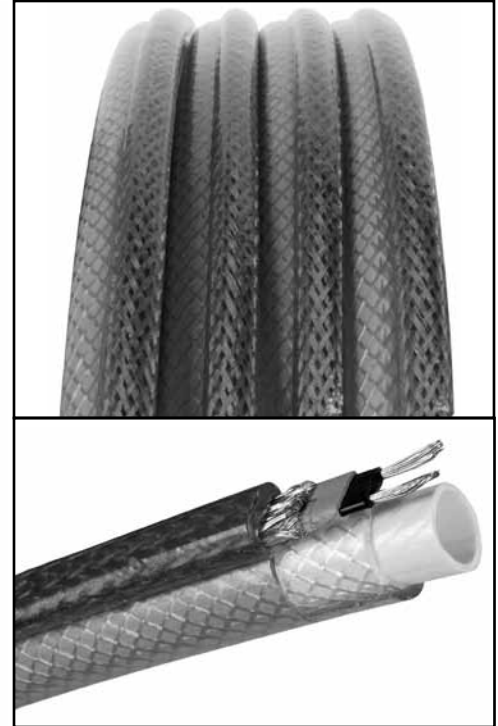




22902



Camco's Heated Water Hose provides safe drinking water in below freezing temperatures by combining a drinking-water-safe hose with a self-regulating heat source encapsulated in an all-weather, PVC coating. Each hose features machined, nickel-plated fittings for maximum corrosion protection. Also, for ease of use, each hose includes a female-to-male adapter for connection of the water source to either end of the hose; depending on the location of the electrical connection.

Product Highlights:

- Self-regulating heat source keeps water flowing to temperatures down to -40° F without overheating
- Eliminates the need for a thermostat or temperature controller
- Operates at 120VAC
- Drinking water safe
- Phthalate, BPA, and Lead free
- NSF-61 Listed
- Made in the USA
- Warranty: 3 year (on Electrical Components) 1 year (Everything Else)



22900



22903

Part No. 22900

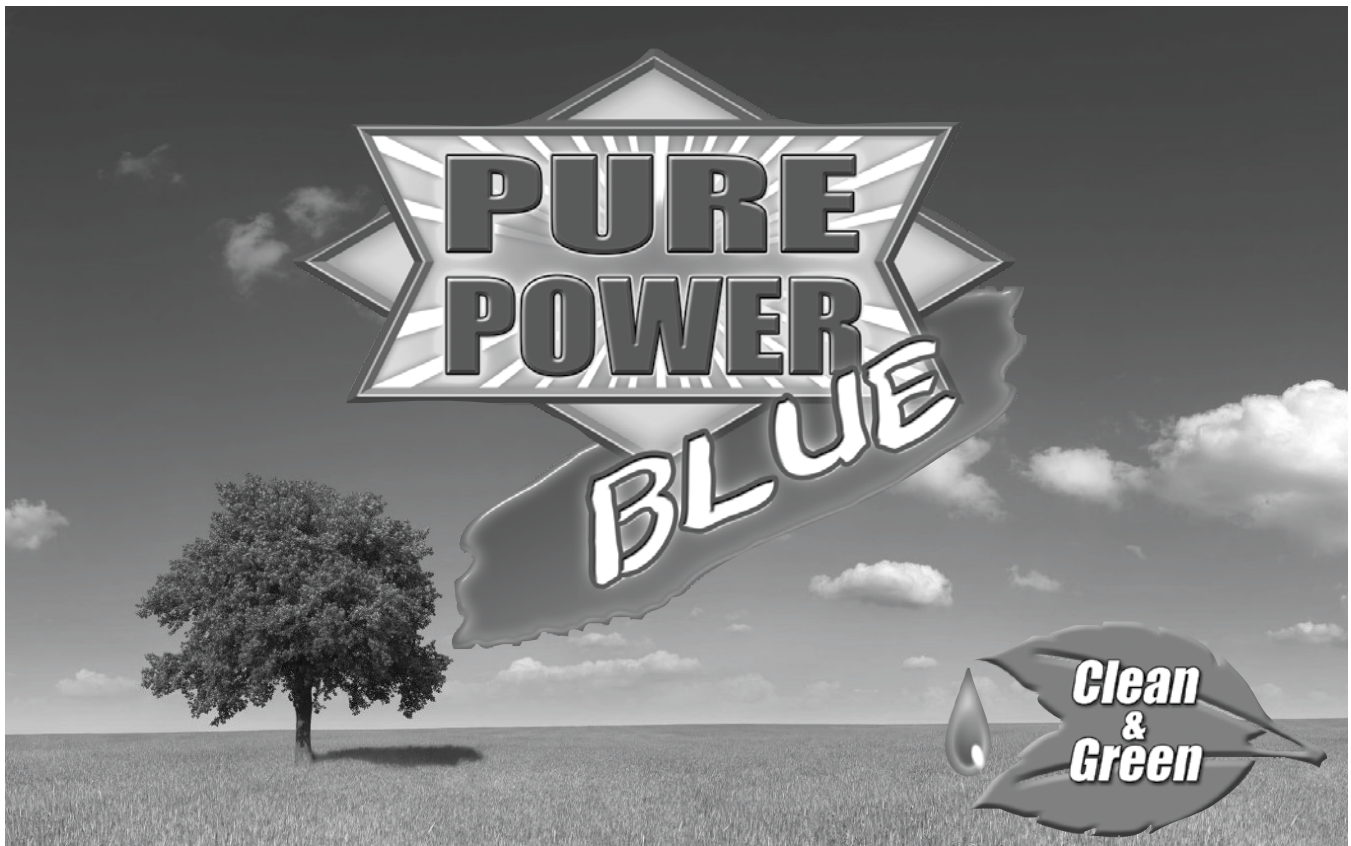
TastePURE 12' Heated Drinking Water Hose, 1/2" ID, 1/ctn

Part No. 22902

TastePURE 25' Heated Drinking Water Hose, 1/2" ID, 1/ctn

Part No. 22903

TastePURE 50' Heated Drinking Water Hose, 1/2" ID, 1/ctn



- With BioBlast:Plus™ odor control technology
- Biological enzyme/bacterial formula that performs in all temperature conditions
- Liquefies all waste and toilet paper
- 2 oz per 40 gallons black or gray water tank treatment
- Accepted at all campgrounds and enhances septic tanks
- Keeps tanks clean with a fresh clean scent
- Bowl cleaner recommended to maintain enzyme/microbe integrity



PPB-64



PPB-4-6



PPB-32



PPB-DI



PPB-128

- Part No. PPB-4** Pure Power Blue 4 oz Bottle, 18/ctn
Part No. PPB-4-6 Pure Power Blue 4 oz Bottle, 6-Pack, 12/ctn
Part No. PPB-32 Pure Power Blue 32 oz Self-Measuring Bottle, 6/ctn
Part No. PPB-64 Pure Power Blue 64 oz (1/2 Gallon) Refill Bottle, 6/ctn
Part No. PPB-128 Pure Power Blue 128 oz (1 Gallon) Refill Bottle, 4/ctn
Part No. PPB-DI Pure Power Blue Drop-ins, 10-Pack, 10/ctn
Part No. PPB-DRY Pure Power Blue Dry Packets, 8-Pack, 8/ctn
Part No. PPB-BC Pure Power Blue Toilet Bowl Cleaner, 24 oz. Bottle, 12/ctn



PPB-DRY

**High and Low
 Temperature
 Odor Control**



PPB-BC



Premium Holding Tank Treatments

- Completely bacteriological treatment
- Neutralizes odors instead of covering them up
- Natural citrus fragrance
- Liquifies waste and tissue for faster, easier transfers
- Softens and reduces grease build-up on walls
- Helps floats and sensors stay cleaner
- Requires less physical cleaning
- Nature safe, formaldehyde-free, and completely biodegradable giving it the ability to be disposed of in any water treatment facility

As a bacteriological based holding tank treatment, Kronen products provide large quantities of the right kind of bacteria, sometimes called microbes, to break down the waste in RV and Marine Holding tanks. These beneficial bacteria make their own enzymes to decompose human waste safely and effectively. Because the decomposition process is efficient, there are no unpleasant odors. The beneficial bacteria thrive because harmful chemicals are not being used and because of the adequate supply of nutrients in the waste itself. The resulting material in the holding tank, mainly water and minerals, can be dumped safely in campground and dock septic systems with minimal environmental impact. **Kronen products are available in multiple sizes in liquid form and also in convenient drop-ins as well. 1 oz should be used for every 10 gallons of holding tank capacity.**



KHT-4-6



KHT-32



KHT-64



KHT-DI

- | | |
|------------------|--|
| Part No. KHT-4-6 | Kronen Liquid Treatment 4 oz. 6 packs, 12/ctn |
| Part No. KHT-32 | Kronen Liquid Treatment 32 oz. Self-Measuring Bottle, 12/ctn |
| Part No. KHT-64 | Kronen Liquid Treatment 64 oz. Refill Bottle, 6/ctn |
| Part No. KHT-DI | Kronen Drop-Ins 10 pack, 12/ctn |



90° Bayonet Sewer Fitting



Universal threaded sewer fitting with a standard bayonet end makes 6 different types of sewer connections with a gas tight fit. The standard bayonet fitting can be used to easily mix and match sewer hoses for the proper length needed—all with a quick twist attachment. Threads are 3", 3.5", and 4".

Part No. F02-3112

EZ Coupler 90° Bay Sewer Fitting

RhinoFLEX™ Sewer Fitting



Swivel elbow feature locks and seals into 4-in-1 adapter, while still swiveling when connected. Translucent elbow can detach from adapter and remain attached to hose for storage. Comes with reusable locking ring. **3/ctn**

Part No. 39733

RhinoFLEX Sewer Elbow



RV Sewer Hose Swivel Lug



This lug fitting allows you to connect a RhinoFLEX™ hose to any sewer hose that has a bayonet fitting. Reusable locking ring provides an odor-tight connection without the need for hose clamps. Stores in a 4" bumper. **6/ctn**

Part No. 39773 RhinoFLEX Lug Fitting



RV Sewer Hose Swivel Bayonet



This bayonet fitting is designed with 4 sturdy prongs that lock into position. Has easy-grip wings for quick connect and disconnect. Built in gasket for an odortight connection. Stores in 4" bumper and comes with reusable locking ring. **6/ctn**

Part No. 39783 RhinoFLEX Bayonet Fitting



RV Sewer Hose Swivel Coupler



This swivel coupler is the easiest way to connect 2 RhinoFLEX hoses. It provides a secure odortight connection without hose clamps. Stores in a 4" bumper. **6/ctn**

Part No. 39821 RhinoFLEX Coupler Fitting



Semi-Translucent Swivel Wye



This fitting allows two hoses with lug fittings to be connected to the same dump station. Lug and bayonet fittings swivel for a secure and odortight connection. It's perfect for a motorhome with two separate holding tank valves. **6/ctn**

Part No. 39812 RhinoFLEX Wye



Semi-Translucent 45° & 90° Swivel Elbows

These partially see-through fittings are used to connect a sewer hose to a waste valve fitting. Both feature swivel lug and bayonet fittings for a secure and odortight connection. **4/ctn**



Part No. 39842
RhinoFLEX 45° Swivel Elbow



Part No. 39852
RhinoFLEX 90° Swivel Elbow



Bayonet Sewer Kits and Extensions



Part No. EZ-10K

3" x 10' Hose Kit, Red, Boxed, 4/ctn

- 20' Kit includes two 10' hoses with rotating fittings and 90° universal sewer adapter
- 10' Kit includes a 10' hose with rotating fittings and 90° universal sewer adapter
- Each 10' hose collapses to 25"
- Hoses consist of **18 Mil** vinyl cover with UV Guard for longer hose life



EZ-20K



Part No. EZ-20K

3" x 20' Hose Kit, Red, Boxed, 4/ctn



Part No. EZ-EX10

3" x 10' Extension Hose, Red, Boxed, 4/ctn



Part No. EZ-EX5

3" x 5' Extension Hose, Red, Bagged, 10/ctn



Drain Hose Bayonet Drip Caps

Seals 3" bayonet sewer hoses for clean storage. No more storage compartment mess! Caps available individually, or as a set.



T1020S

- Part No. 2025G 3" Termination Cap w/Strap, Bulk
- Part No. T1020 Drain hose Drip Cap, Bulk
- Part No. T1020S Termination Cap and Drip Cap Set, Carded



T1020



2025G



RhinoFLEX™ Sewer Hose



Made with **23 mils** of heavy duty polyolefin and reinforced with steel wire, RhinoFLEX™ hoses come in 10' and 15' lengths. 10' hose compresses to 32" and 15' hose compresses to 45" for storage. RhinoFLEX™ Elbows, Bayonet, Lug or Coupler fittings (**Page 140A**) can be added to either hose to create one of the best sewer kits money can buy.



R-FLEX-10

Part No. R-FLEX-10
3" x 10' Hose, Brown, 4/ctn

Part No. R-FLEX-15
3" X 15' Hose, Brown, 4/ctn



R-FLEX-15



RhinoFLEX™ Sewer Hose Kits & Extensions



Part No. R-FLEX-20K

3" x 20' Hose Kit, Brown, Boxed, 4/ctn

- Sewer Hose Kits with rotating pre-attached fittings are available in 15' and 20' lengths
- 20' kit comes with two 10' hoses and universal 90° sewer adapter
- 15' kit comes with one 15' hose and universal 90° sewer adapter
- 5' and 10' extension kits available for longer runs
- All kits and extensions made of heavy duty **23 mil** polyolefin and reinforced with steel wire



Part No. R-FLEX-15K

3" x 15' Hose Kit, Brown, Boxed, 2/ctn



R-FLEX-5X

Extension Kits

Part No. R-FLEX-5X

3" x 5' Extension, Brown, Boxed, 6/ctn

Part No. R-FLEX-10X

3" x 10' Extension, Brown, Boxed, 4/ctn



R-FLEX-10X



RhinoEXTREME™ 15' Sewer Hose

RhinoEXTREME™ hose will not dent or rust and will not crush if stepped on. It offers superior abrasion resistance for maximum protection against pinholes and leaks. Just add RhinoFLEX fittings (page 140A) to create a near ultimate sewer kit...or just buy the pre-made kits below.



RhinoEX-15

Part No. RhinoEX-15

3" x 15' Sewer Hose, Black, 4/ctn



RhinoEXTREME™ Sewer Kits & Extensions

The same superior hose of the **RhinoEX-15** above, only as complete sewer kits or extensions to make existing sewer kits longer. Sewer kits come in 15' and 20' versions with rotating pre-attached fittings, reusable locking rings, storage caps, and a universal 90° sewer elbow. Extension kits come in 5' and 10' lengths with rotating pre-attached fittings and reusable locking rings.



Part No. RhinoEX-15K

3" x 15' Sewer Kit, Black, Boxed, 2/ctn

Part No. RhinoEX-20K

3" x 20' Sewer Kit, Black, Boxed, 4/ctn



Part No. RhinoEX-5E

3" x 5' Extension, Black, Boxed, 6/ctn

Part No. RhinoEX-10E

3" x 10' Extension, Black, Boxed, 4/ctn

CAMCO

Sewer Hose Rinse Cap



This cap makes it easy to thoroughly rinse your sewer hose before storage. The cap locks onto any sewer hose bayonet fitting and connects to a garden hose to make cleaning a sewer hose quick and easy. The cap can also be left in place as a hose cap during storage. 4/ctn

Part No. 39533 Sewer Hose Rinse Cap



Locking Rings



Reusable locking rings work with RhinoFLEX Elbow, Bayonet, Lug or Coupler fittings, allowing fittings to be moved to a new RhinoFLEX hose. Set of 2. 4/ctn

Part No. 39803 Locking Rings, 1 pr

CAMCO

Storage Caps



Seals both ends of your sewer hose kits before storing...for an odortight, leak-free connection. No more hose carrier mess! Set comes with Bayonet cap and a 4-in-1 Elbow cap. 4/ctn

Part No. 39753 Storage Cap Set

CAMCO

Fitting Gaskets



Replacement gaskets for all your sewer fittings. Comes as a set of 2 Bayonet gaskets and 2 Elbow Gaskets. Works with all Camco Sewer hose fittings and kits. 6/ctn

Part No. 39834 Fitting Gasket Set

WINEGARD® Pathway™ X2 for DISH



Pathway™ X2 Portable Satellite TV Antenna with DISH ViP 211Z HD Receiver

Designed for reception of DISH satellite TV programming, Pathway X2 antenna offers a whole new look at automatic satellite TV acquisition. Powered through your ViP 211 series HD receiver, the Pathway X2 requires no separate power cord. **While the Pathway X2 works with any 211 series receiver, a ViP 211z receiver is included for your convenience.** The receiver can be activated through your existing Dish account or by subscribing to a new Pay As You Go programming package that requires no 2 year agreements or activation fees. This revolutionary antenna points to either Western or Eastern arc satellite orbitals to offer you the most programming available for your account. The larger reflector size also provides superior signal performance compared to other automatic portable satellite systems. Lightweight yet rugged, the Pathway X2 antenna requires minimal set up time. Features 2 coax inputs to allow for multiple receiver hook-up, an easy grip carry handle, and a security eyelet molded into the base so the antenna can be locked up. Includes one 25' coax cable. Stores to 15" x 21". Weight 16 lbs. Compatible with TR-1518 tripod mount (sold separately).

Part No. PA6002R

Pathway X2 Satellite Antenna w/DISH Receiver

WINEGARD® RoadTrip



RoadTrip® Mission™ Automatic In-Motion Satellite TV Antenna

The RoadTrip Mission antenna delivers easy one-button on/off operation with automatic, fast satellite acquisition even when you're driving down the road. Its design receives unmatched signal strength for standard DIRECTV® programming, and all standard and HD DISH Network® and Bell TV™ programming. Supports 2 receivers for simultaneous viewing of different programs located on the same satellite. Wall switch, power and coax cables included.
Only 12.9"H x 20"Dia.

Part No. RT-4000T RoadTrip In-Motion Antenna, White

WINEGARD®

Carryout® G2 Portable Automatic Satellite TV Antenna

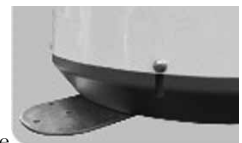


GM-2000

The Carryout G2 is the next generation of portable satellite TV antennas. At 40% smaller than Winegard's popular Carryout®, this compact, fully automatic satellite antenna is the smallest of its kind on the market and perfect for RVing, camping, tailgating and more! Carryout G2 is compatible with DISH® (SD & HD), DIRECTV® (SD) and Bell TV™ (SD & HD). Equipped with two coax ports, the G2 supports two receivers so you can watch different programming from the same satellite on 2 TVs at once. Plugs into a standard 12V outlet in your vehicle (12V power converter to 110V sold separately). Features an easy grip handle and security eyelet attached to the base. The Carryout G2 also offers the unique ability to convert to a roof mount antenna for stationary use. **Roof Mount Kit (RK-2000) sold separately.** Includes 50' power and 50' coax cables. **13.5" dome height, 14.3" diameter.**

Part No. GM-2000 Automatic Portable Satellite TV Antenna, White

Part No. RK-2000 Carryout® G2 Roof Mount Kit



RK-2000

RoadStar Mini Antenna



The RoadStar R.V.-T.V. antennas are omni-directional, and continuously pick up VHF/UHF/FM signals from all directions without having to be adjusted. The aerodynamically designed antenna is contained in a slim, stylish, high-impact weatherproof housing to protect against rain and wind, and coated to protect it from ultraviolet deterioration. The special low-noise, solid-state amplifier is designed to boost weak signals. Power supply operates on 12VDC.

Part No. RS-3000 RoadStar Mini Antenna, White

172-173



Roofing Installation and Repair Products



Fiberglass Roof Repair Products



Dicor Fiberglass Clean & Prep

To ensure proper adhesion of Dicor Fiberglass RV Roof Coating to a fiberglass roof, it is essential to first prepare the surface using Dicor Fiberglass Clean & Prep. Dicor Fiberglass Clean & Prep is specifically formulated to remove all wax, oils, road grit and other contaminants on gel coat and to enhance the adhesion of the roof coating.

FAST ACTING FORMULA • BIODEGRADABLE • EASY TO USE

Part No. RP-FCP
Fiberglass Clean & Prep



Dicor Fiberglass Roof Coating

This 100% acrylic resin coating forms a flexible layer over any fiberglass roof to protect and beautify. Dicor Fiberglass RV Roof Coating gives roofs a super bright white finish, which resists mildew and algae and reflects the sun's heat to help keep the interior cooler. Always use Dicor Fiberglass Clean & Prep and allow to dry before applying this coating product. Two coats are required. One gallon of Dicor Fiberglass RV Roof Coating will cover 350 sq. ft. per coat.

PROTECTS ROOF • EASY TO APPLY • SOAP AND WATER CLEAN UP

Part No. RP-FRC
Fiberglass Roof Coating



Coating-Ready Seam-Sealing Tape

This fabric-backed tape is used for sealing seams on **metal or fiberglass roofs** before coating the roof. The tape immediately seals the seams on contact with an aggressive grip, but still stays flexible during application. Offers superior long-term adhesion and water resistance, with full bond within 24 hours of application. Contains no asbestos, CFC or PCB. Dimensions: 4" x 50'. Color: Gray

Part No. RP-CRCT-1C
4" x 50' Coating-Ready Seam-Sealing Tape, Gray

Marshall Excelsior
MEC
Gas Connections



Marshall Excelsior 2-Stage Automatic Changeover LP Regulator

The 2-stage ME241 automatically redirects LP gas vapor flow from an empty service cylinder to a reserve cylinder, without interruption of service. It features an easy to read green indicator which changes to red when the service cylinder needs to be refilled.

Specifications:

- Powder Coated
- Zinc Die Cast
- Molded Rubber Diaphragms
- Pressure Gauge Tap
- UL Listed
- BTU Capacity Service Cylinder 380,000 BTU/HR
- BTU Capacity Reserve Cylinder 200,000 BTU/HR
- Inlet 1/4" Female Inverted Flare with Back Check Valve

Part No. ME241

2-Stage Automatic Changeover LP Regulator

Z Bracket



Used when mounting the ME241 automatic changeover LP regulator in a compartment setting.

Part No. ME241ZB
 LP Regulator Z Bracket

L Bracket



Used when mounting the ME241 automatic changeover LP regulator in a rack setting between LP bottles.

Part No. ME241LB
 LP Regulator L Bracket

Marshall Excelsior
MEC
Gas Connections

Pre-Set 10 PSI High Pressure Regulator



Designed for use in applications that require pressure in pounds per square inch instead of inches water column. Regulator has zinc die cast body, molded rubber diaphragms, and is powder coated for maximum corrosion resistance. UL Listed and non-relieving. Pre-set at 10 PSI.

Part No. ME610B
 10 PSI High Pressure Regulator

Marshall Excelsior
MEC
Gas Connections

Pre-Set 30 PSI High Pressure Regulator



Designed for use in high pressure RV applications that require pressure in pounds per square inch instead of inches water column. Regulator has zinc die cast body, molded rubber diaphragms, and is powder coated for maximum corrosion resistance. UL Listed and non-relieving. Pre-set at 30 PSI. **Ideal for 5th wheel split cylinder applications.**

Part No. ME630B
 30 PSI High Pressure Regulator

3-Port Propane Tee



This 3-port propane tee mounts in-line between supply and regulator on a coach to allow hook-up of an additional propane appliance (such as a tabletop grill, campstove, or lantern) with the use of the necessary extension hose (sold separately).

Part No. 59093
3-Port Propane Tee

12' Propane Extension Hose



This 12' extension hose with male x female swivel 1"-20 female throwaway cylinder threads is used to connect an additional propane appliance to a coach's LP system with the use of various propane tees on this page.

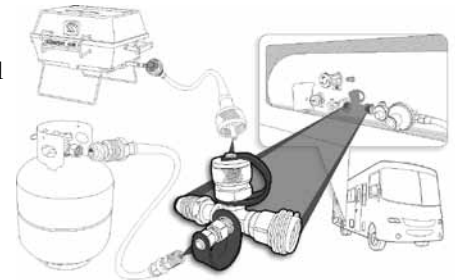
Part No. 59043
12' Propane Extension Hose

4-Port Propane Tee



This 4 port propane tee mounts in-line between supply and regulator on a coach to allow hook-up of an auxiliary propane cylinder and the connection of an additional propane appliance (such as a tabletop grill, campstove, or lantern) with the use of necessary supply and extension hoses (sold separately).

Part No. 59113
4-Port Propane Tee

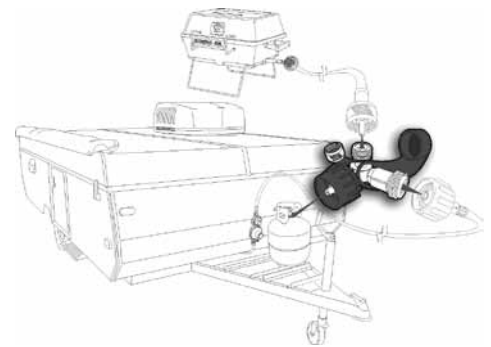


90° Propane Tee



This 90° tee is used to connect an external propane appliance (a tabletop grill, campstove, or lantern) to a camper/trailer propane cylinder. Connects to Acme (new style) and P.O.L. (old style) connections. Requires use of propane extension hose for connection to external appliance (sold separately).

Part No. 59133
90° Propane Tee



12' Propane Supply Hose



This 12' supply hose can be used to connect an external cylinder to an RV with a 1/4" inverted female flare connection for extended stay applications. Hose consists of excess flow soft nose P.O.L. on one end and a 1/4" inverted male flare end on the other.

Part No. 55PT-144
12' Supply Hose, POL x Inv 1/4" Flare

